

060322-10 Rev. A

December 2010

OmniSwitch AOS Release 7 Transceivers Guide

Alcatel-Lucent 

www.alcatel-lucent.com

This user guide contains transceiver specifications and compatibility information for the OmniSwitch AOS Release 7 and supported platforms. The information described in this guide is subject to change without notice.

Copyright © 2010 by Alcatel-Lucent. All rights reserved. This document may not be reproduced in whole or in part without the express written permission of Alcatel-Lucent.

Alcatel-Lucent® and the Alcatel-Lucent logo are registered trademarks of Alcatel-Lucent. Xylan®, OmniSwitch®, OmniStack®, and Alcatel-Lucent OmniVista® are registered trademarks of Alcatel-Lucent.

OmniAccess™, Omni Switch/Router™, PolicyView™, RouterView™, SwitchManager™, VoiceView™, WebView™, X-Cell™, X-Vision™, and the Xylan logo are trademarks of Alcatel-Lucent.

This OmniSwitch product contains components which may be covered by one or more of the following U.S. Patents:

- U.S. Patent No. 6,339,830
- U.S. Patent No. 6,070,243
- U.S. Patent No. 6,061,368
- U.S. Patent No. 5,394,402
- U.S. Patent No. 6,047,024
- U.S. Patent No. 6,314,106
- U.S. Patent No. 6,542,507
- U.S. Patent No. 6,874,090



**26801 West Agoura Road
Calabasas, CA 91301
(818) 880-3500 FAX (818) 880-3505
esd.support@alcatel-lucent.com
US Customer Support—(800) 995-2696
Internet—service.esd@alcatel-lucent.com**

Contents

| | | |
|------------------|--|------|
| | About This Guide | v |
| | Supported Platforms | v |
| | Who Should Read this Manual? | vi |
| | When Should I Read this Manual? | vi |
| | What is Not in this Manual? | vi |
| | How is the Information Organized? | vii |
| | Documentation Roadmap | vii |
| | Related Documentation | viii |
| | User Manual Download | ix |
| | Technical Support | ix |
| | | x |
| Chapter 1 | Small Form-Factor Pluggables (SFP/SFP+) | 1-1 |
| | In This Chapter | 1-1 |
| | SFP MSA Specification | 1-2 |
| | Transceiver Installation and Removal | 1-3 |
| | Gigabit Ethernet Transceivers | 1-5 |
| | Bi-directional Ethernet Transceivers | 1-8 |
| | 100 FX Ethernet Transceivers | 1-11 |
| | CWDM Gigabit Ethernet Transceivers | 1-13 |
| | 10-Gigabit SFP+ Transceivers | 1-14 |
| Chapter 2 | Transceiver Compatibility Matrix | 1-17 |
| | In This Chapter | 1-17 |
| | OmniSwitch 10K Series Compatibility | 1-18 |

About This Guide

This *OmniSwitch AOS Release 7 Transceivers Guide* provides specifications and compatibility information for the supported OmniSwitch transceivers for all OmniSwitch AOS Release 7 Products.

Supported Platforms

This information in this guide applies to the following products:

- OmniSwitch 10K

Unsupported Platforms

The information in this guide does not apply to the following products:

- All other platforms

Who Should Read this Manual?

The audience for this user guide is network administrators and IT support personnel who need to provide network connectivity using SFP or SFP+ transceivers.

When Should I Read this Manual?

Read this guide as soon as you are ready to integrate your OmniSwitch into your network and you are ready to provide connectivity using the supported transceivers. You should have already stepped through the first login procedures and read the brief software overviews in the appropriate *OmniSwitch Getting Started Guide* and *OmniSwitch Hardware Guide*.

This guide includes information about the supported OmniSwitch transceivers.

- SFP and SFP+ specifications
- SFP and SFP+ compatibility information

What is Not in this Manual?

Procedures for switch management methods, such as CLI, web-based (WebView or OmniVista) or SNMP, are outside the scope of this guide.

For information on WebView and SNMP switch management methods consult the *OmniSwitch Switch Management Guide*. Information on using WebView and OmniVista can be found in the context-sensitive on-line help available with those network management applications.

This guide is designed to provide transceiver specification and compatibility information only and is not intended as a reference for any CLI commands or configuration information. Refer to the Documentation Roadmap for a list of available user guides.

How is the Information Organized?

Chapters in this guide are broken down by transceiver type.

Specification Information. Each transceiver has an associated table providing individual specifications for all supported transceivers.

Compatibility Information. A compatibility chart is provided for each transceiver specifying which modules or switch the transceiver is supported on.

Documentation Roadmap

The OmniSwitch user documentation suite was designed to supply you with information at several critical junctures of the configuration process. The following section outlines a roadmap of the manuals that will help you at each stage of the configuration process. Under each stage, we point you to the manual or manuals that will be most helpful to you.

Stage 1: Using the Switch for the First Time

Pertinent Documentation: *OmniSwitch 10K Getting Started Guide*
Release Notes

A hard-copy *OmniSwitch 10K Getting Started Guide* is included with your switch; this guide provides all the information you need to get your switch up and running the first time. It provides information on unpacking the switch, rack mounting the switch, installing NI modules, unlocking access control, setting the switch's IP address, and setting up a password. It also includes succinct overview information on fundamental aspects of the switch, such as hardware LEDs, the software directory structure, CLI conventions, and web-based management.

At this time you should also familiarize yourself with the Release Notes that accompanied your switch. This document includes important information on feature limitations that are not included in other user guides.

Stage 2: Gaining Familiarity with Basic Switch Functions

Pertinent Documentation: *OmniSwitch 10K Hardware Users Guide*
OmniSwitch AOS Release 7 Switch Management Guide

Once you have your switch up and running, you will want to begin investigating basic aspects of its hardware and software. Information about switch hardware is provided in the *OmniSwitch 10K Hardware Guide*. This guide provides specifications, illustrations, and descriptions of all hardware components, such as chassis, power supplies, Chassis Management Modules (CMMs), Network Interface (NI) modules, and cooling fans. It also includes steps for common procedures, such as removing and installing switch components.

This guide is the primary users guide for the basic software features on a single switch. This guide contains information on the switch directory structure, basic file and directory utilities, switch access security, SNMP, and web-based management. It is recommended that you read this guide before connecting your switch to the network.

Stage 3: Integrating the Switch Into a Network

Pertinent Documentation: *OmniSwitch AOS Release 7 Network Configuration Guide*
OmniSwitch AOS Release 7 Advanced Routing Configuration Guide

When you are ready to connect your switch to the network, you will need to learn how the OmniSwitch implements fundamental software features, such as 802.1Q, VLANs, Spanning Tree, and network routing protocols. This guide contains overview information, procedures, and examples on how standard networking technologies are configured on the OmniSwitch.

The guide includes configuration information for networks using advanced routing technologies (OSPF and BGP) and multicast routing protocols (DVMRP and PIM-SM).

Anytime

The *OmniSwitch CLI Reference Guide* contains comprehensive information on all CLI commands supported by the switch. This guide includes syntax, default, usage, example, related CLI command, and CLI-to-MIB variable mapping information for all CLI commands supported by the switch. This guide can be consulted anytime during the configuration process to find detailed and specific information on each CLI command.

Related Documentation

The following are the titles and descriptions of all the OmniSwitch 10K user manuals:

- *OmniSwitch 10K Getting Started Guide*

Describes the hardware and software procedures for getting an OmniSwitch up and running. Also provides information on fundamental aspects of OmniSwitch software architecture.

- *OmniSwitch 10K Hardware Users Guide*

Complete technical specifications and procedures for all OmniSwitch 10K chassis, power supplies, fans, and Network Interface (NI) modules.

- *OmniSwitch CLI Reference Guide*

Complete reference to all CLI commands supported on the OmniSwitch. Includes syntax definitions, default values, examples, usage guidelines and CLI-to-MIB variable mappings.

- *OmniSwitch AOS Release 7 Switch Management Guide*

Includes procedures for readying an individual switch for integration into a network. Topics include the software directory architecture, image rollback protections, authenticated switch access, managing switch files, system configuration, using SNMP, and using web management software (WebView).

- *OmniSwitch AOS Release 7 Network Configuration Guide*

Includes network configuration procedures and descriptive information on all the major software features and protocols included in the base software package. Chapters cover Layer 2 information (Ethernet and VLAN configuration), Layer 3 information (routing protocols, such as RIP and IPX), security options (authenticated VLANs), Quality of Service (QoS), link aggregation, and server load balancing.

- *OmniSwitch AOS Release 7 Advanced Routing Configuration Guide*

Includes network configuration procedures and descriptive information on all the software features and protocols included in the advanced routing software package. Chapters cover multicast routing (DVMRP and PIM-SM), Open Shortest Path First (OSPF), and Border Gateway Protocol (BGP).

- *OmniSwitch Transceivers Guide*

Includes SFP and XFP transceiver specifications and product compatibility information.

- *Technical Tips, Field Notices*

Includes information published by Alcatel's Customer Support group.

- *Release Notes*

Includes critical Open Problem Reports, feature exceptions, and other important information on the features supported in the current release and any limitations to their support.

Technical Support

An Alcatel-Lucent service agreement brings your company the assurance of 7x24 no-excuses technical support. You'll also receive regular software updates to maintain and maximize your Alcatel-Lucent product's features and functionality and on-site hardware replacement through our global network of highly qualified service delivery partners.

With 24-hour access to Alcatel-Lucent's Service and Support web page, you'll be able to view and update any case (open or closed) that you have reported to Alcatel-Lucent's technical support, open a new case or access helpful release notes, technical bulletins, and manuals.

Access additional information on Alcatel-Lucent's Service Programs:

Web: service.esd.alcatel-lucent.com

Phone: 1-800-995-2696

Email: esd.support@alcatel-lucent.com

1 Small Form-Factor Pluggables (SFP/SFP+)

OmniSwitch Series switches use both copper-based and fiber-based optical Small Form Factor Pluggable SFP and SFP+ transceivers. These transceivers are fully hot-swappable and are available for both short-reach and long-reach applications. Copper-based and fiber-based optical transceivers can be mixed on the same module.

In This Chapter

This chapter describes the technical specifications for all the OmniSwitch supported transceivers. For additional details about OmniSwitch modules, see the appropriate *OmniSwitch Hardware Guide*.

Transceiver specifications in this chapter include:

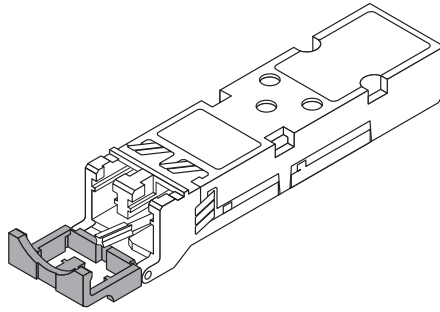
- SFP MSA Specifications. See [“SFP MSA Specification”](#) on page 1-2
- Transceiver Installation. See [“Transceiver Installation and Removal”](#) on page 1-3
- Gigabit Ethernet Transceivers. See [“Gigabit Ethernet Transceivers”](#) on page 1-5.
- Dual-Speed Ethernet Transceivers. See [“Bi-directional Ethernet Transceivers”](#) on page 1-8.
- Bi-directional Ethernet Transceivers. See [“Bi-directional Ethernet Transceivers”](#) on page 1-8.
- 100-FX Ethernet Transceivers. See [“100 FX Ethernet Transceivers”](#) on page 1-11.
- CWDM Gigabit Ethernet Transceivers. See [“CWDM Gigabit Ethernet Transceivers”](#) on page 1-13.
- 10-Gigabit SFP+ Transceivers. See [“10-Gigabit SFP+ Transceivers”](#) on page 1-14

- For a transceiver compatibility matrix, see [“Transceiver Compatibility Matrix”](#) on page 2-17.

SFP MSA Specification

The Small Form-Factor Pluggable (SFP) MSA (Multi Source Agreement) is a specification for a common interface for optical modular transceivers. The SFP connector consists of a 20-pin receptacle and an SFP housing cage. The connector provides the interface for the hot pluggable SFP module. Each SFP module contains a serial interface to provide identification information that describes the SFP capabilities, stand interfaces, manufacturer and other information.

For information on installing SFPs, refer to the documentation included with the transceiver.



This diagram is a representation only; the physical appearance of the actual module may vary slightly.

Small Form Factor Pluggable (SFP)

Transceiver Installation and Removal

Follow the instructions below for the appropriate transceiver type.

ESD Caution: Before handling the module, you must discharge all static electricity on your person to avoid Electrostatic Discharge (ESD) damage. If using a wrist strap, ensure that the wrist strap touches your skin. Attach the other end of the strap to the chassis. If your chassis provides a grounding lug, this can be used. Refer to your hardware user guide for details.

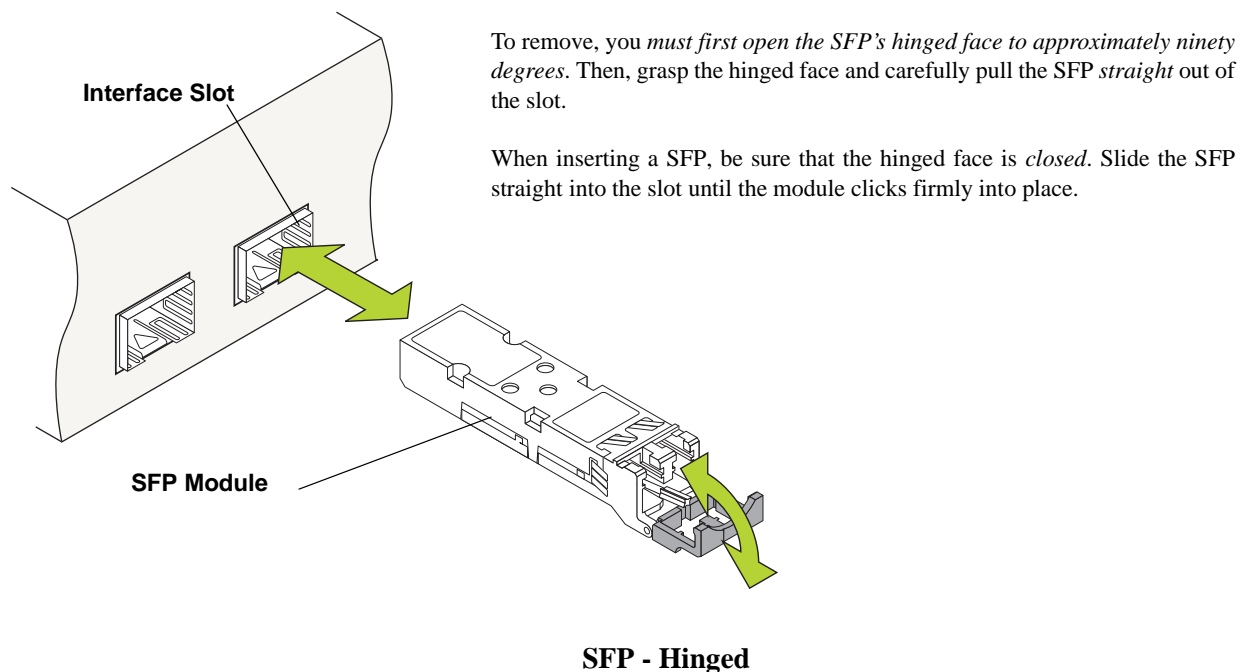
If using a wrist strap, ensure that the wrist strap touches your skin. Attach the other end of the strap to the chassis. If your chassis provides a grounding lug, this can be used. Refer to your hardware user guide for details.

Dust Exposure: To reduce the risk of dust exposure and physical damage, be sure to replace the protective rubber cover (provided) when the SFP is not in use.

Eye Safety: SFP transceivers are international Class 1 laser products and are eye-safe devices *when operated within the limits of manufacturers' specifications*. Operating SFP transceivers in a manner inconsistent with intended usage and specification may result in hazardous radiation exposure.

Note: After removing a transceiver, wait for a minimum of 5 seconds before re-inserting any transceiver into the same port. This allows sufficient time for software to detect the removal of the transceiver.

Note: *Never force the transceiver in or out of the transceiver slot.*

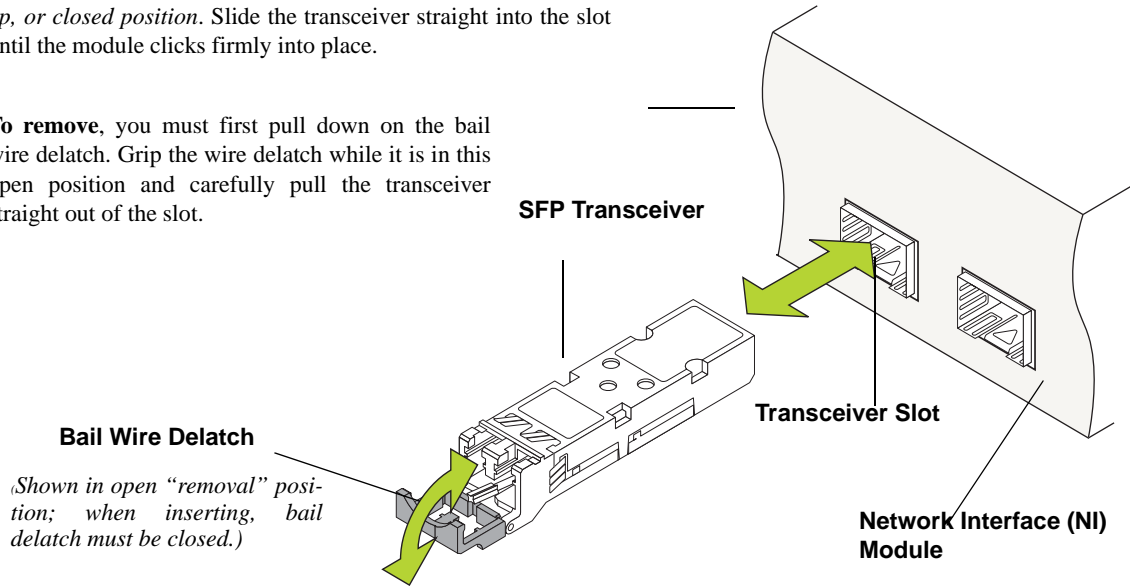


To remove, you *must first open the SFP's hinged face to approximately ninety degrees*. Then, grasp the hinged face and carefully pull the SFP *straight* out of the slot.

When inserting a SFP, be sure that the hinged face is *closed*. Slide the SFP straight into the slot until the module clicks firmly into place.

To install, align the transceiver with the transceiver slot on the NI module, as shown. Be sure that the bail wire delatch is in the *up, or closed position*. Slide the transceiver straight into the slot until the module clicks firmly into place.

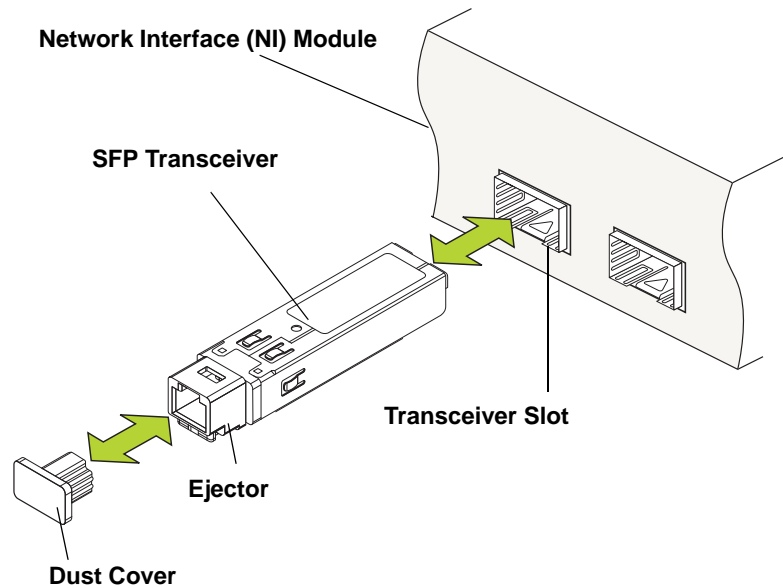
To remove, you must first pull down on the bail wire delatch. Grip the wire delatch while it is in this open position and carefully pull the transceiver straight out of the slot.



SFP - Bail Wire

To install, align the transceiver with the transceiver slot on the NI module, as shown. Carefully slide the transceiver back until it clicks into place; this is an indication that the connectors are firmly seated.

To remove, use the ejector tool (provided with each switch chassis) to push the transceiver's ejector button. The ejector button is located just below the transceiver port; refer to the diagram for more information. The transceiver will disengage from the connectors and eject slightly. Once disengaged, *use the clip end of the ejector tool* to carefully pull the transceiver straight out and away from the NI module.



SFP - Ejector Button

Gigabit Ethernet Transceivers

SFP-GIG-SX

Gigabit SFP Optical Transceiver.

| | |
|-------------------------------|--|
| Connector Type | LC |
| Standards Supported | 802.3z, SFP MSA |
| Connections Supported | 1000Base-SX |
| Fiber Type | MMF |
| Wavelength | 850 nm |
| Optical Power Output | -9.0 to -3 dBm |
| Receiver Sensitivity | -20 dBm |
| Transmission Distance | ~300 m on 62.5/125 μ m ~550 m on 50/125 μ m |
| Operating Temperature | 0 °C to 70 °C |
| Digital Diagnostic Monitoring | Not Supported |

SFP-GIG-LX

Gigabit SFP Optical Transceiver.

| | |
|-------------------------------|---------------------------------|
| Connector types | LC |
| Standards supported | 802.3z, SFP MSA |
| Connections supported | 1000Base-LX |
| Fiber Type | SMF |
| Wavelength | 1310 nm |
| Optical Power Output | -9.5 to -3 dBm |
| Receiver Sensitivity | -14.5 dBm |
| Transmission Distance | ~10 km |
| Operating Temperature | -40 °C to 85 °C / 0 °C to 70 °C |
| Digital Diagnostic Monitoring | Not Supported |

Gigabit Ethernet Transceivers (cont.)

SFP-GIG-LH70

Gigabit SFP Optical Transceiver.

| | |
|-------------------------------|-----------------|
| Connector Type | LC |
| Standards Supported | 802.3z, SFP MSA |
| Connections Supported | 1000Base-LH70 |
| Fiber Type | SMF |
| Wavelength | 1550 nm |
| Optical Power Output | 0 to +5 dBm |
| Receiver Sensitivity | -22 dBm |
| Transmission Distance | ~70 km |
| Operating Temperature | -10 °C to 70 °C |
| Digital Diagnostic Monitoring | Supported |

SFP-GIG-LH40

Gigabit SFP Optical Transceiver.

| | |
|-------------------------------|-----------------|
| Connector Type | LC |
| Standards Supported | 802.3z, SFP MSA |
| Connections Supported | 1000Base-LH40r |
| Fiber Type | SMF |
| Wavelength | 1310 nm |
| Optical Power Output | 0 to +5 dBm |
| Receiver Sensitivity | -22 dBm |
| Transmission Distance | ~40 km |
| Operating Temperature | -10 °C to 70 °C |
| Digital Diagnostic Monitoring | Supported |

Gigabit Ethernet Transceivers (cont.)

SFP-GIG-T

Gigabit SFP Copper Transceiver.

| | |
|-------------------------------|-------------------|
| Connector Type | RJ-45 |
| Standards Supported | 802.3z, SFP MSA |
| Connections supported | 10/100/1000Base-T |
| Cable Type | CAT5, CAT5e, CAT6 |
| Transmission Distance | ~100 m |
| Digital Diagnostic Monitoring | Not Supported |

Bi-directional Ethernet Transceivers

SFP-100-BX20LT

Bi-Directional SFP Optical Transceiver.

| | |
|-------------------------------|---------------------------------------|
| Connector Type | SC |
| Standards Supported | 802.3ah, SFP MSA, ITU-T G.983 |
| Connections Supported | 100Base-BX |
| Fiber Type | SMF |
| Wavelength | Transmit: 1550 nm Receive: 1310 nm |
| Average Power Output | -14 to -8 dBm |
| Receiver Sensitivity | -32 dBm |
| Transmission Distance | ~20 km |
| Operating Temperature | 0 °C to 70 °C |
| Digital Diagnostic Monitoring | Supported |
| Notes | Designed for use with SFP-100-BX20NU |

SFP-100-BX20NU

Bi-Directional SFP Optical Transceiver.

| | |
|-------------------------------|---------------------------------------|
| Connector Type | SC |
| Standards Supported | 802.3ah, SFP MSA, ITU-T G.983 |
| Connections Supported | 100Base-BX |
| Fiber Type | SMF |
| Wavelength | Transmit: 1310 nm Receive: 1550 nm |
| Average Power Output | -14 to -8 dBm |
| Receiver Sensitivity | -32 dBm |
| Transmission Distance | ~20 km |
| Operating Temperature | 0 °C to 70 °C |
| Digital Diagnostic Monitoring | Supported |
| Notes | Designed for use with SFP-100-BX20LT |

Bi-directional Ethernet Transceivers (cont.)

SFP-100-BXLC-D

Bi-Directional SFP Optical Transceiver.

| | |
|-------------------------------|---------------------------------------|
| Connector Type | LC |
| Standards Supported | 802.3ah, SFP MSA, ITU-T G.983 |
| Connections Supported | 100Base-BX |
| Fiber Type | SMF |
| Wavelength | Transmit: 1550 nm Receive: 1310 nm |
| Average Power Output | -14 to -8 dBm |
| Receiver Sensitivity | -32 dBm |
| Transmission Distance | ~20 km |
| Operating Temperature | 0 °C to 70 °C |
| Digital Diagnostic Monitoring | Supported |
| Notes | Designed for use with SFP-100-BXLC-U |

SFP-100-BXLC-U

Bi-Directional SFP Optical Transceiver.

| | |
|-------------------------------|---------------------------------------|
| Connector Type | LC |
| Standards Supported | 802.3ah, SFP MSA, ITU-T G.983 |
| Connections Supported | 100Base-BX |
| Fiber Type | SMF |
| Wavelength | Transmit: 1310 nm Receive: 1550 nm |
| Average Power Output | -14 to -8 dBm |
| Receiver Sensitivity | -32 dBm |
| Transmission Distance | ~20 km |
| Operating Temperature | 0 °C to 70 °C |
| Digital Diagnostic Monitoring | Supported |
| Notes | Designed for use with SFP-100-BXLC-D |

Bi-directional Ethernet Transceivers (cont.)

SFP-GIG-BX-D

Bi-Directional SFP Optical Transceiver.

| | |
|-------------------------------|---------------------------------------|
| Connector Type | LC |
| Standards Supported | 802.3ah, SFP MSA |
| Connections Supported | 1000Base-BX10 |
| Fiber Type | SMF |
| Wavelength | Transmit: 1490 nm Receive: 1310 nm |
| Average Power Output | -9 to -3 dBm |
| Receiver Sensitivity | -19.5 dBm |
| Transmission Distance | ~10 km |
| Operating Temperature | 0 °C to 70 °C |
| Digital Diagnostic Monitoring | Supported |
| Notes | Designed for use with SFP-GIG-BX-U |

SFP-GIG-BX-U

Bi-Directional SFP Optical Transceiver.

| | |
|-------------------------------|---------------------------------------|
| Connector Type | LC |
| Standards Supported | 802.3ah, SFP MSA |
| Connections Supported | 1000Base-BX10 |
| Fiber Type | SMF |
| Wavelength | Transmit: 1310 nm Receive: 1490 nm |
| Average Power Output | -9 to -3 dBm |
| Receiver Sensitivity | -19.5 dBm |
| Transmission Distance | ~10 km |
| Operating Temperature | 0 °C to 70 °C |
| Digital Diagnostic Monitoring | Supported |
| Notes | Designed for use with SFP-GIG-BX-D |

100 FX Ethernet Transceivers

SFP-100-LC-MM

SFP Optical Transceiver.

| | |
|-------------------------------|---|
| Connector Type | LC |
| Standards Supported | 802.3u, SFP MSA |
| Connections supported | 100Base-FX |
| Fiber Type | MMF |
| Wavelength | 1310 nm |
| Optical Power Output | -19 to -14 dBm on 62.5/125 μ m -22 to 14 dBm on 50/125 μ m |
| Transmission Distance | ~2 km on 62.5/125 μ m ~2 km on 50/125 μ m |
| Operating Temperature | 0 °C to 70 °C |
| Digital Diagnostic Monitoring | Not Supported |

SFP-100-LC-SM15

SFP Optical Transceiver.

| | |
|-------------------------------|-----------------|
| Connector Type | LC |
| Standards Supported | 802.3u, SFP MSA |
| Connections Supported | 100Base-FX |
| Fiber Type | SMF |
| Wavelength (nm) | 1310 nm |
| Optical Power Output | -15 to -8 dBm |
| Receiver Sensitivity | -34 dBm |
| Transmission Distance | ~15 km |
| Operating Temperature | 0 °C to 70 °C |
| Digital Diagnostic Monitoring | Not Supported |

100 FX Ethernet Transceivers (cont.)

SFP-100-LC-SM40

SFP Optical Transceiver.

| | |
|-------------------------------|-----------------|
| Connector Type | LC |
| Standards Supported | 802.3u, SFP MSA |
| Connections Supported | 100Base-FX |
| Fiber Type | SMF |
| Wavelength | 1310 nm |
| Optical Power Output | -15 to -8 dBm |
| Receiver Sensitivity | -34 dBm |
| Transmission Distances | ~40 km |
| Operating Temperature | 0 °C to 70 °C |
| Digital Diagnostic Monitoring | Not Supported |

CWDM Gigabit Ethernet Transceivers

SFP-GIG-CWD

Coarse Wavelength Division Multiplexing (CWDM) is an optical transceiver supporting single-mode fiber over various wavelengths. CWDMs are hot-pluggable and are available for long-reach applications.

| | |
|-------------------------------|--|
| Connector Type | LC |
| Standards Supported | 802.3z, SFP MSA |
| Connections Supported | 1000Base-LX |
| Fiber Type | SMF |
| Wavelength | 1470, 1490, 1510, 1530, 1550, 1570, 1590, 1610 |
| Optical Power Output | -2 to +3 dBm |
| Receiver Sensitivity | -24 dBm |
| Transmission Distances | ~62 km |
| Operating Temperature | -5 °C to 70 °C |
| Digital Diagnostic Monitoring | Not Supported |

10-Gigabit SFP+ Transceivers

SFP-10G-SR

10-Gigabit SFP+ Optical Transceiver.

| | |
|-------------------------------|------------------|
| Connector Type | LC |
| Standards Supported | 802.3 Clause 52 |
| Connections supported | 10GBase-SR |
| Fiber Type | MMF |
| Wavelength | 850 nm |
| Optical Power Output | -7.3 to -3.0 dBm |
| Receiver Sensitivity | -11.1 dBm |
| Transmission Distance | ~ 300 m |
| Operating Temperature | -5 °C to 70°C |
| Digital Diagnostic Monitoring | Supported |

SFP-10G-LR

10-Gigabit SFP+ Optical Transceiver.

| | |
|-------------------------------|-----------------|
| Connector Type | LC |
| Standards Supported | 802.3 Clause 52 |
| Connections supported | 10GBase-LR |
| Fiber Type | SMF |
| Wavelength | 1310 nm |
| Optical Power Output | -8.2 to 0.5 dBm |
| Receiver Sensitivity | -10.3 dBm |
| Transmission Distance | ~ 10 km |
| Operating Temperature | -5 °C to 70°C |
| Digital Diagnostic Monitoring | Supported |

SFP-10G-ER

10-Gigabit SFP+ Optical Transceiver.

| | |
|-------------------------------|-----------------|
| Connector Type | LC |
| Standards Supported | 802.3ae |
| Connections supported | 10GBase-E |
| Fiber Type | SMF |
| Wavelength | 1550 nm |
| Optical Power Output | -4.7 to 4.0 dBm |
| Receiver Sensitivity | -14.1 dBm |
| Transmission Distance | ~ 40 km |
| Operating Temperature | -5 °C to 70 °C |
| Digital Diagnostic Monitoring | Supported |

SFP-10G-LRM

10-Gigabit SFP+ Optical Transceiver.

| | |
|-------------------------------|----------------|
| Connector Type | LC |
| Standards Supported | 802.3aq |
| Connections supported | 10GBase-LRM |
| Fiber Type | MMF |
| Wavelength | 1310 nm |
| Optical Power Output | -4.5 to 1.5dBm |
| Receiver Sensitivity | -6.5 dBm |
| Transmission Distance | ~ 220 m |
| Operating Temperature | -5 °C to 70°C |
| Digital Diagnostic Monitoring | Supported |

SFP-10G-C

10-Gigabit SFP+ Copper Transceiver.

| | |
|-------------------------------|------------------------|
| Connector Type | Direct Attached Copper |
| Standards Supported | 802.3ae |
| Cable Length | 3m, 10m |
| Digital Diagnostic Monitoring | Not Supported |

2 Transceiver Compatibility Matrix

In This Chapter

The following sections document the transceiver configurations and minimum release required for support on the OmniSwitch.

Compatibility specifications in this chapter include:

- OmniSwitch 10K . See [“OmniSwitch 10K Series Compatibility”](#) on page 2-18

OmniSwitch 10K Series Compatibility

The following table shows the Ethernet transceiver configurations and minimum release required for support on the OmniSwitch 10K Series:

| Transceiver | OS10K-GNI-U48 | OS10K-XNI-U32 |
|---------------------------------|---------------|--------------------|
| SFP-GIG-SX | 7.1.1 | 7.1.1 |
| SFP-GIG-LX | 7.1.1 | 7.1.1 |
| SFP-GIG-LH40 | 7.1.1 | 7.1.1 |
| SFP-GIG-LH70 | 7.1.1 | 7.1.1 |
| SFP-GIG-CWD | 7.1.1 | 7.1.1 |
| SFP-GIG-T | 7.1.1 | 7.1.1 ¹ |
| SFP-100-BX20LT | 7.1.1 | Not Supported |
| SFP-100-BX20NU | 7.1.1 | Not Supported |
| SFP-100-BXLC-D | 7.1.1 | Not Supported |
| SFP-100-BXLC-U | 7.1.1 | Not Supported |
| SFP-100-LC-MM | 7.1.1 | Not Supported |
| SFP-100-LC-SM15 | 7.1.1 | Not Supported |
| SFP-100-LC-SM40 | 7.1.1 | Not Supported |
| SFP-GIG-BX-D | 7.1.1 | 7.1.1 |
| SFP-GIG-BX-U | 7.1.1 | 7.1.1 |
| SFP-10G-SR | Not supported | 7.1.1 |
| SFP-10G-LR | Not supported | 7.1.1 |
| SFP-10G-ER | Not supported | 7.1.1 |
| SFP-10G-LRM | Not supported | 7.1.1 |
| SFP-10G-C | Not supported | 7.1.1 |

1. Only supports 1000-Mbits when used on OS10K-XNI-U32.

